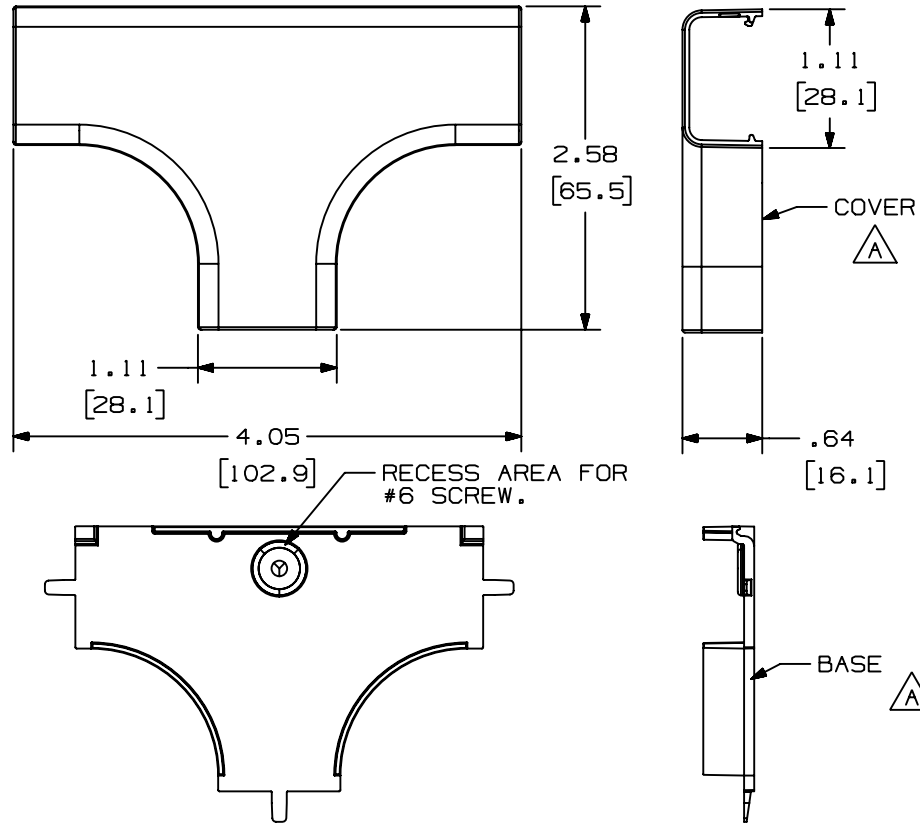
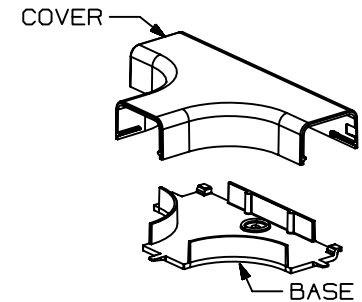


THIS COPY IS PROVIDED ON A RESTRICTED BASIS AND IS NOT TO BE USED IN ANY WAY DETRIMENTAL TO THE INTERESTS OF PANDUIT CORP.



PANDUIT PART NO.	WEIGHT
TFX5	4.9 LB/100 PCS (2238 g/100 PCS)

- NOTES:
1. SEE CURRENT CATALOG FOR ADDITIONAL PART NUMBER SUFFIXES TO INDICATE COLOR AND OR PACKAGE QUANTITY.
 2. THIS PRODUCT IS INTENDED TO BE USED WITH PANDUIT TYPE LD5 AND LDP5 RACEWAY.
 3. NOMINAL WALL THICKNESSES:
BASE = .080 [2.0]
COVER = .055 [1.4]
 4. THIS PRODUCT IS FEATURED WITH THE TIA/EIA COMPLIANT BEND RADIUS.
 5. DIMENSIONS IN PARENTHESIS ARE IN METRIC.



CAD FILENAME/LAYERS D35012BG_LD_TFX5_02.PRT

PANDUIT CORP. TINLEY PARK, ILLINOIS

TEE FITTING BASE AND COVER
(TFX5)
CUSTOMER DRAWING

UNLESS OTHERWISE SPECIFIED,
DIMENSIONAL TOLERANCES ARE:
(.X) ± (.XXX) ±.015 [.4]
(.XX) ±.03 [.8] ANGLES ±

UNLESS OTHERWISE SPECIFIED,
ALL DIMENSIONS ARE GIVEN
IN INCHES, THIRD ANGLE PROJECTION.

REV	DATE	BY	CHK	DESCRIPTION	ECN	CHK	CUST	SUP
2	03-15-04	JHEP	RGRO	B. REMOVED CD5 FROM NOTE 2	35012-07	RGRO	RGRO	
1	03-29-99	DW	HIW	A. REVISED PICTURES	35012-07	HIW	HIW	
R	10-14-95	DW	CEF	RELEASED TO PRODUCTION	35012-07	CEF	CEF	

DRAWN BY DW	MAT'L: PVC
DATE 11-14-95	
CHECKED BY CEF	

SCALE NONE	DRAWING NO. 35012-07	DWG A SIZE